

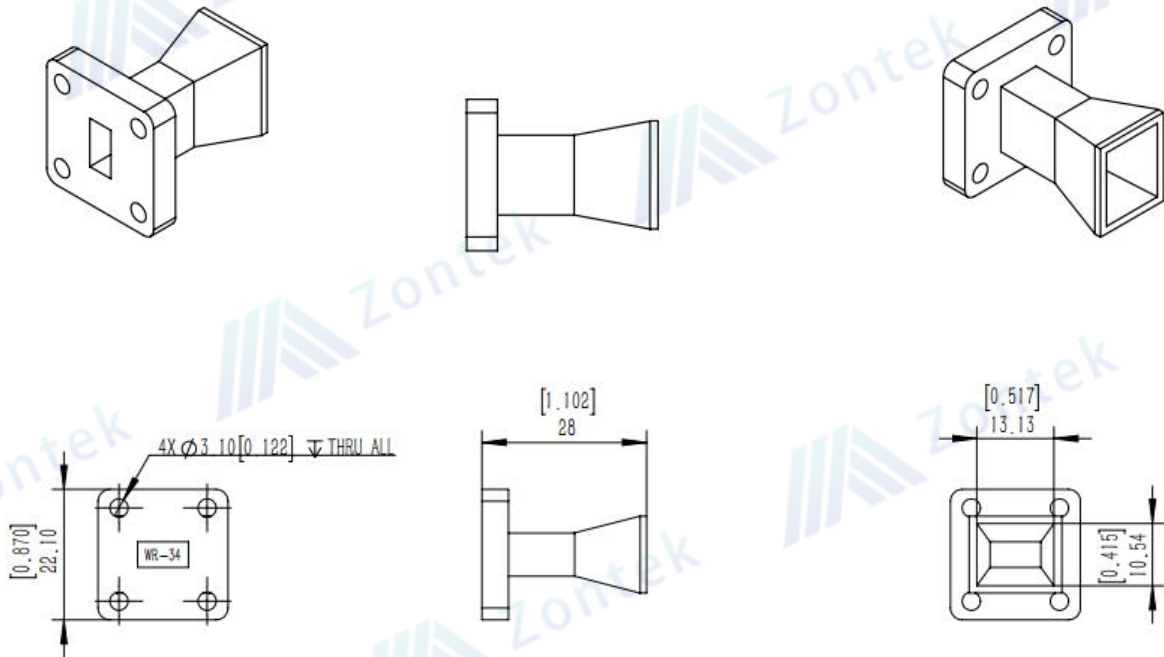


<b>Technical Specification</b>		
<b>Standard Gain Horn Antenna</b>		
Item	Specification	Unit
Model	ZK-STLB034-10	
Frequency Range	22-33	GHz
Gain	10 Typ.	dB
VSWR	1.23 Typ.	
Polarization	Linear	
Beam width of plane E	51.6°Typ	
Beam width of plane H	52.1°Typ	
Waveguide	WR34	
Flange	UG-1530/U Square Cover	
Material	Al	
Color	Grey(7544C)	
Size	28*22.1*22.1(L*W*H)	mm

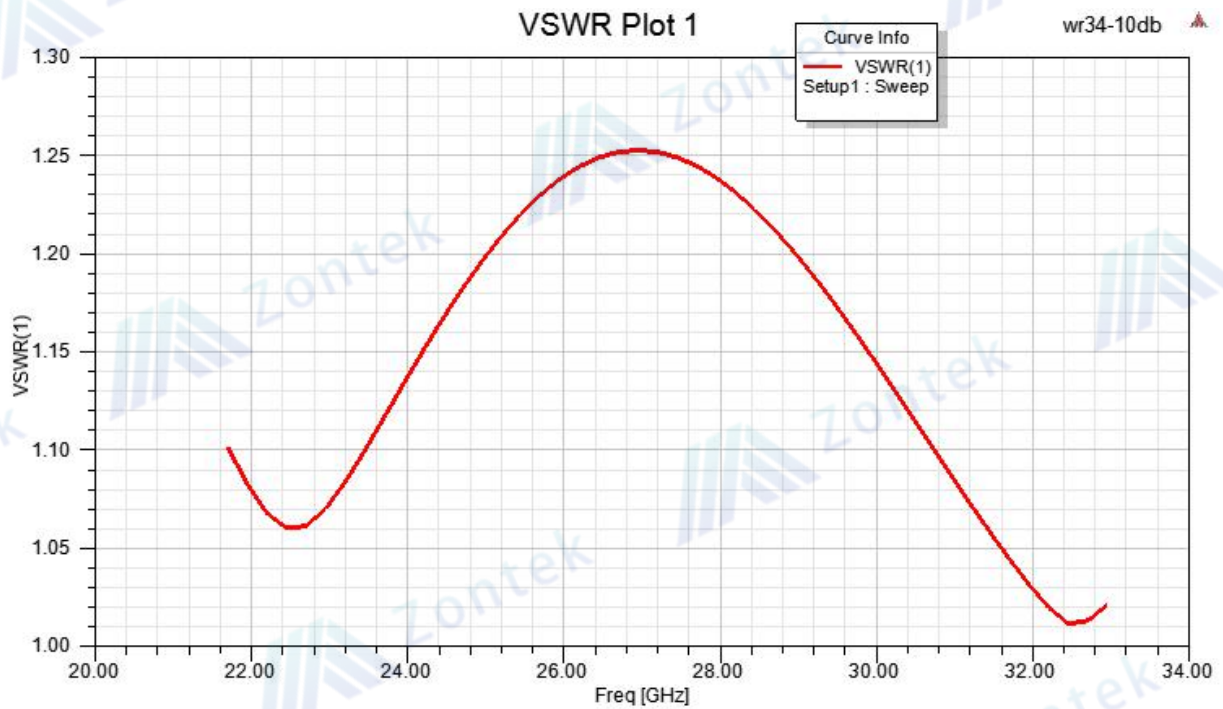


# Chengdu Zontek Technology Co.,Ltd.

Outline Drawing:

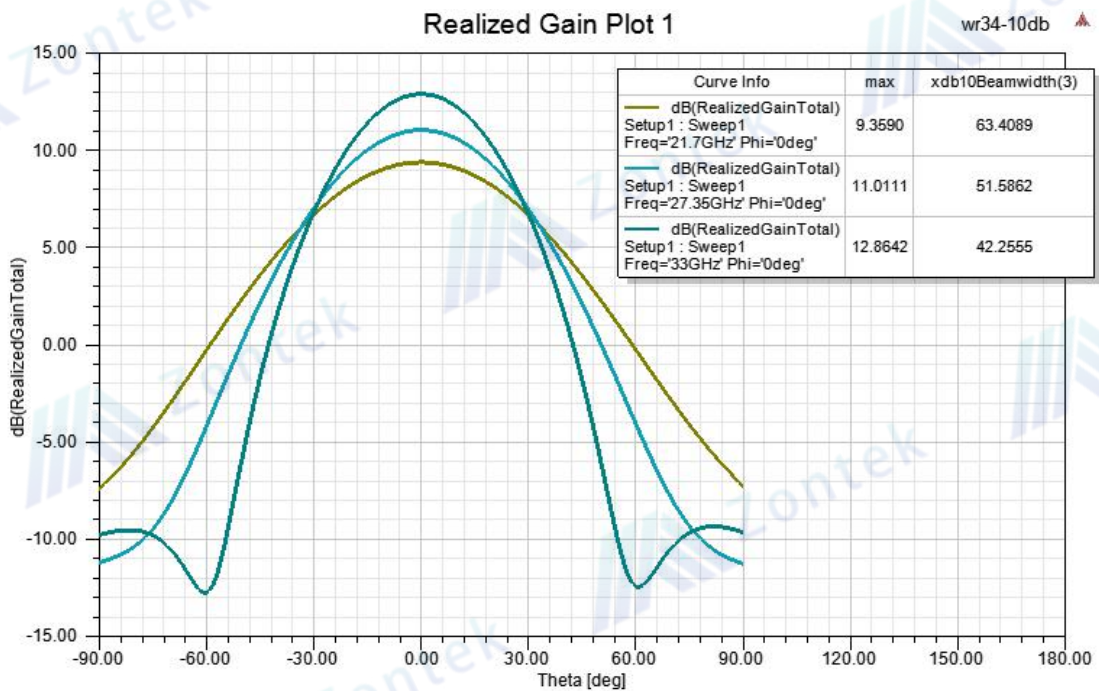
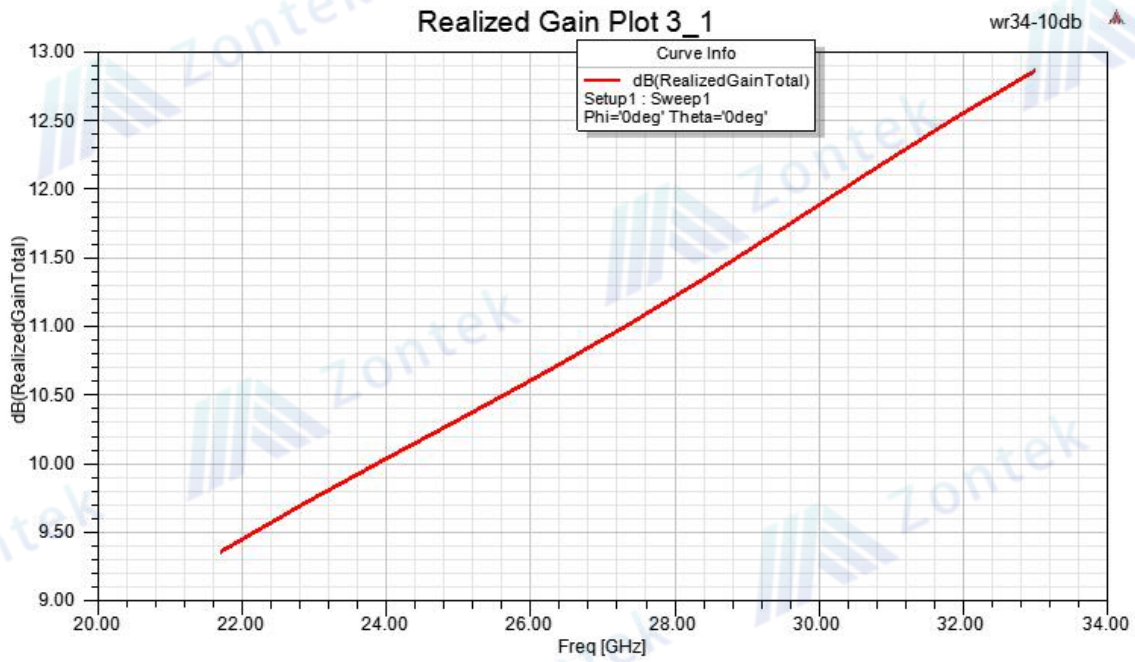


VSWR:





Gain:





# Chengdu Zontek Technology Co.,Ltd.

