

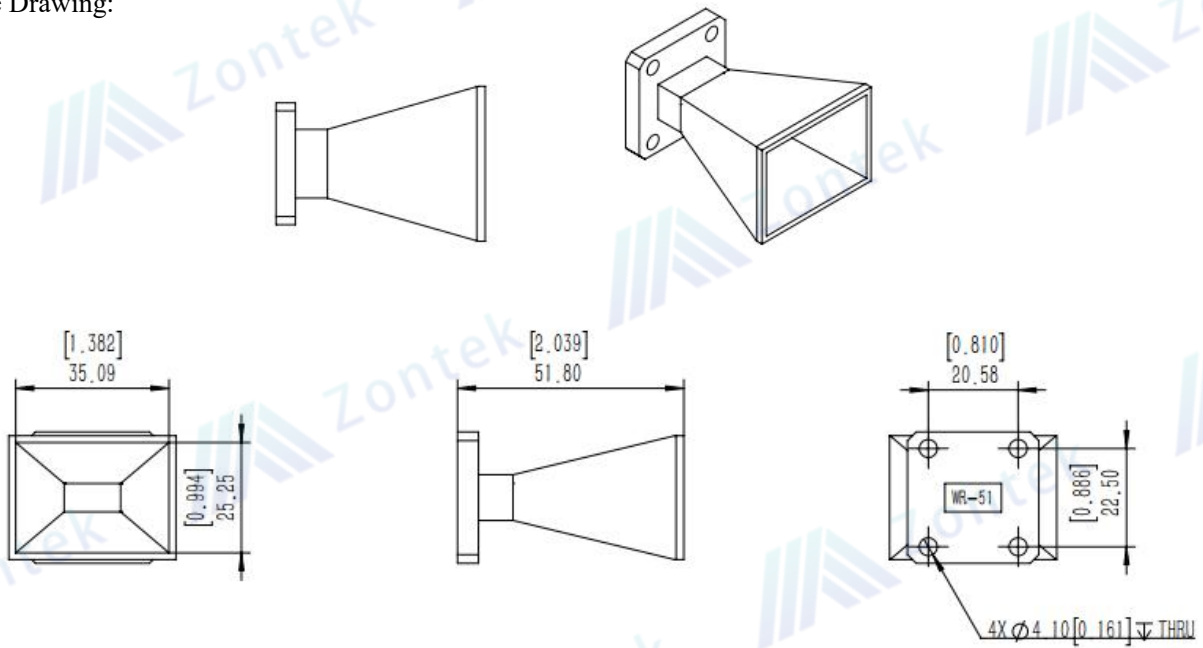


Technical Specification		
Standard Gain Horn Antenna		
Item	Specification	Unit
Model	ZK-STLB051-15	
Frequency Range	15-22	GHz
Gain	15 Typ.	dB
VSWR	1.3 Typ.	
Polarization	Linear	
Beam width of plane E	32°Typ	
Beam width of plane H	32°Typ	
Waveguide	WR51	
Flange	Square Cover	
Material	Al	
Color	Grey(7544C)	
Size	51.8*38.25*30.1(L*W*H)	mm

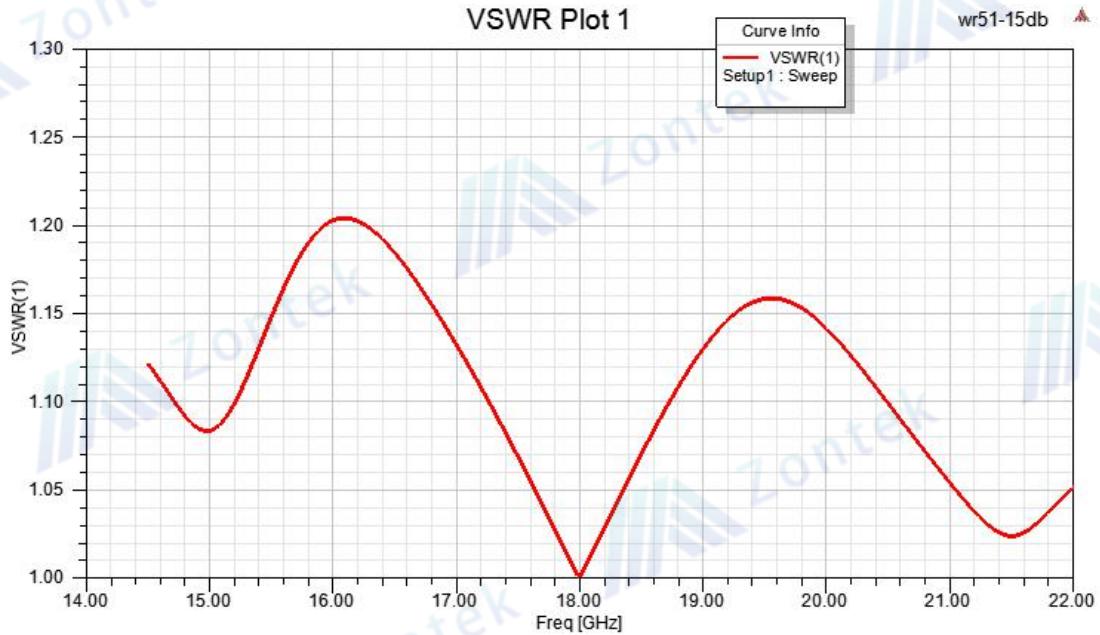


Chengdu Zontek Technology Co.,Ltd.

Outline Drawing:

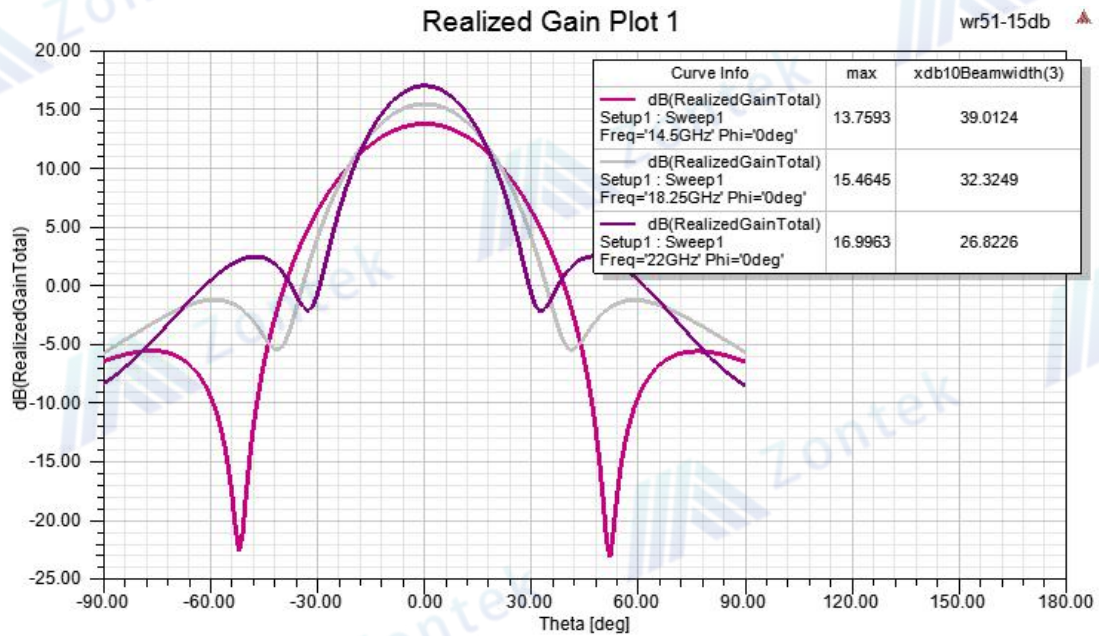
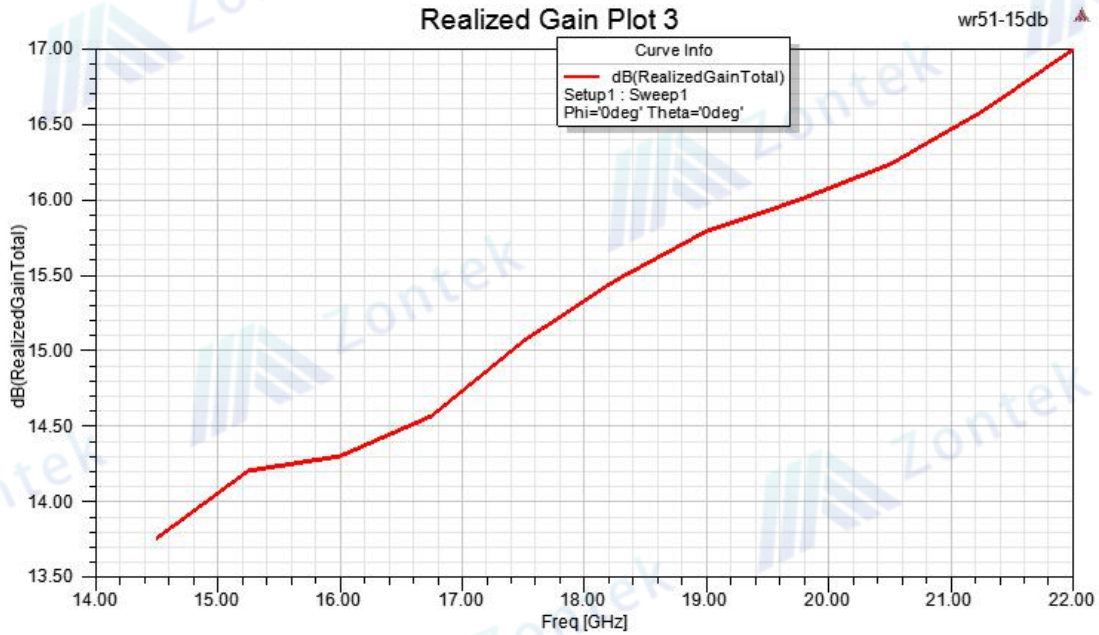


VSWR:





Gain:





Chengdu Zontek Technology Co.,Ltd.

